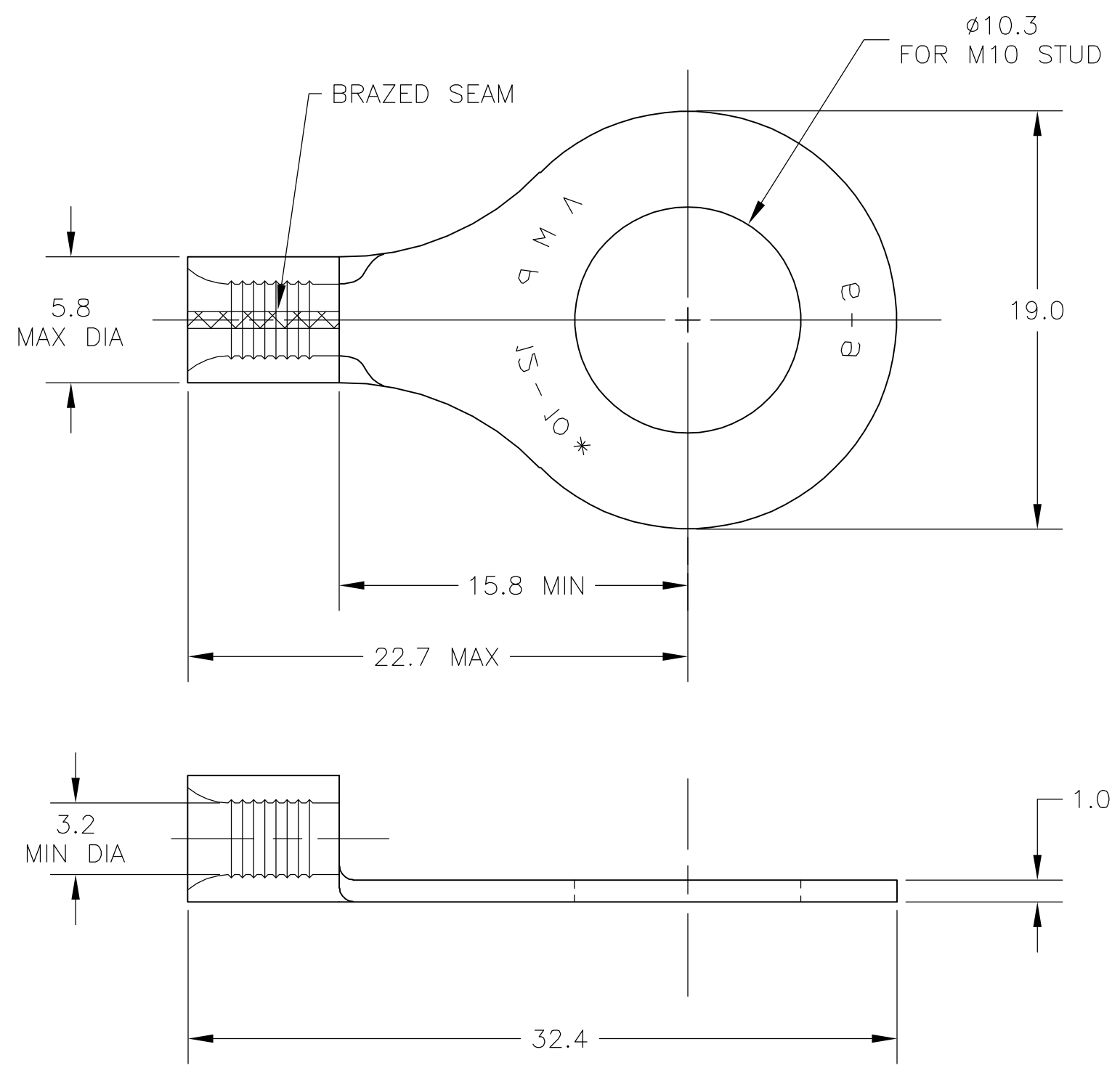


THIS DRAWING IS UNPUBLISHED. RELEASED FOR PUBLICATION
 © COPYRIGHT - BY TYCO ELECTRONICS CORPORATION. ALL RIGHTS RESERVED.

LOC	DIST	REVISIONS			
P	LTR	DESCRIPTION	DATE	DWN	APVD
G	14	A	DRAWN	22MAR06	JR TM



- 1 170°C MAX TEMPERATURE
- 2 COPPER PER ASTM B-152, ANNEALED
- 3 TIN PLATED PER ASTM B-545, 0.00254 MIN THK.
- 4 WIRE RANGE 2.62-6.64mm² [5,180-13,100 CMA], SOLID OR STRANDED.

160038
PART NO

THIS DRAWING IS A CONTROLLED DOCUMENT.		DWN jr_ruth 22MAR06	Tyco Electronics Corporation Harrisburg, PA 17105-3608		
DIMENSIONS: INCHES		CHK T MICHELUTTI 22MAR06			
		APVD T MICHELUTTI 22MAR06	WIRE TERMINAL SOLISTRAND RING TONGUE WIRE SIZE 12-10		
TOLERANCES UNLESS OTHERWISE SPECIFIED:		PRODUCT SPEC	RESTRICTED TO		
0 PLC ± -		APPLICATION SPEC	SIZE	CAGE CODE	DRAWING NO
1 PLC ± 0.2		WEIGHT	A3	00779	C-160038
2 PLC ± -		CUSTOMER DRAWING			
3 PLC ± -		SCALE	4:1	SHEET	1 OF 1
4 PLC ± -		REV A			
ANGLES ± -					
MATERIAL					
FINISH					